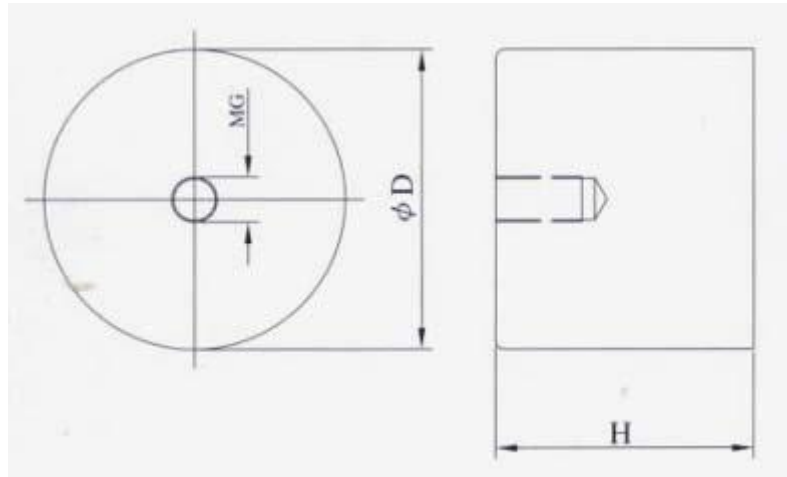


Magnetic Assemblies CY-AM Series, Alnico, with Thread, Brass Ring, Red Painted



Type	Dimensions (mm)			Weight (g)	Adhesive Force (N)
	ϕD	H	MG		
CY-AM6	6	20	M3x5	3.5	1.5
CY-AM8	8	20	M3x5	6.5	3.5
CY-AM10	10	20	M4x7	9.5	7
CY-AM13	13	20	M4x7	18	10
CY-AM16	16	20	M4x5	27.5	18
CY-AM20	20	25	M6x7	55	42
CY-AM25	25	35	M6x9	140	96
CY-AM32	32	40	M8x9	240	180