

Magnetic Assemblies
CY-BM Series, Alnico, with thread, Brass Ring, Red Painted

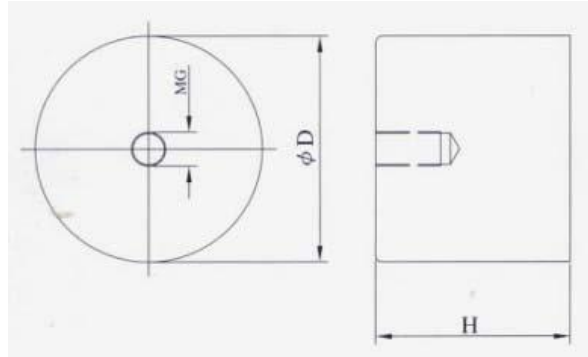


Fig 1

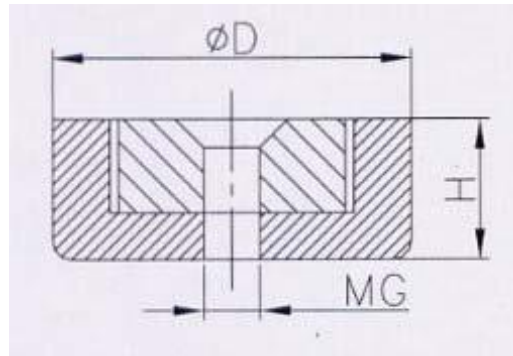


Fig 2

Type	Dimensions (mm)			Figure	Weight (g)	Holding Force(N)
	ØD(mm)	MG	H(mm)			
CY-BM1	17.5	M6	16	Fig. 1	31	26
CY-BM2	20.6	M6	19		48	40
CY-BM3	27	M6	25		108	61
CY-BM4	35	M6	30		220	147
CY-BM5	65	M12	43		1080	400
CY-BM6	19.1	3.7	7.5	Fig. 2	17	30
CY-BM7	28.5	4.8	8.5		43	40
CY-BM8	38.1	4.8	10.4		94	100