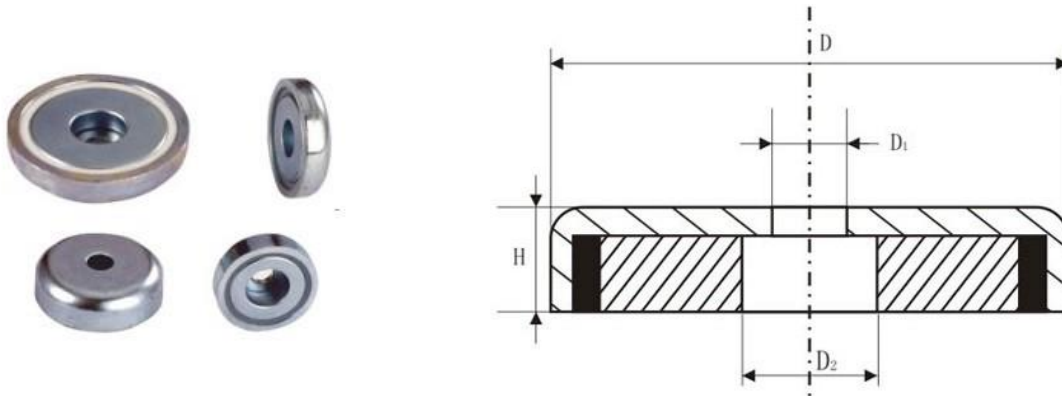


Magnetic Assemblies

CY-NB Series, NdFeB, Plastics Injected, Zinc or Nickel Plated



Type	Dimensions (mm)				Weight (g)	Adhesive Force (kg)
	ØD	Ød1	Ød2	H		
CY-NB16	16	3.5	6.5	5	6	4.0
CY-NB20	20	4.5	8	7	12	6
CY-NB25	25	5.5	9	8	23	14
CY-NB32	32	5.5	9	8	36	23
CY-NB36	36	6.5	11	9	50	29
CY-NB42	42	6.5	11	9	73	32
CY-NB48	48	8.5	15	11.5	114	63
CY-NB52	51.5	5.2	22.3	7.6	68	30
CY-NB60	60	8.5	15	15	240	95
CY-NB75	75	10.5	18	18	471	155