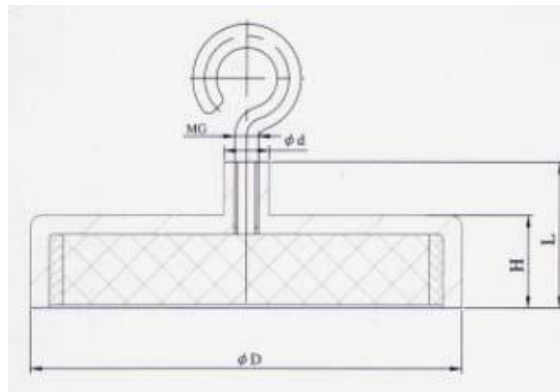


**Magnetic Assemblies**  
**CY-TK Series, Ferrite, With Hook, Plastics Injected, White Painted**



Type	Dimensions (mm)					Weight (g)	Adhesive Force (N)
	$\phi D$	H	L	$\phi d$	MG		
CY-TK16	16	4.5	11.5	6	M3	6	15
CY-TK20	20	6	13	6	M3	12	22
CY-TK25	25	7	15	8	M4	24	40
CY-TK32	32	7	15	8	M4	34	80
CY-TK36	36	7.7	16	8	M4	48	100
CY-TK40	40	8	16.5	8	M4	60	125
CY-TK40B	40	7.7	18	10	M5	60	125
CY-TK47	47	9	17	8	M4	90	180
CY-TK50	50	10	18.5	8	M4	110	220
CY-TK50B	50	10	22	12	M6	110	220
CY-TK57	57	10.5	18.5	8	M4	150	280
CY-TK63	63	14	30	15	M8	242	350
CY-TK80	80	18	34	20	M10	522	600
CY-TK100	100	22	43	22	M12	940	900